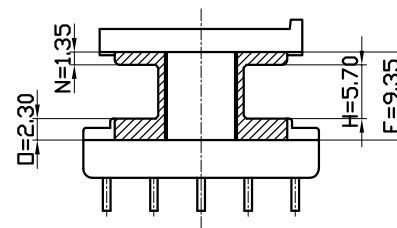
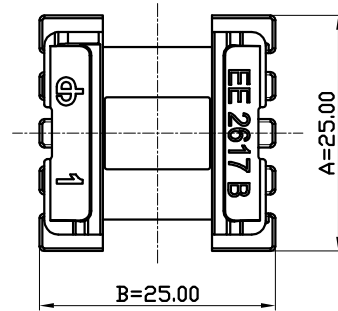
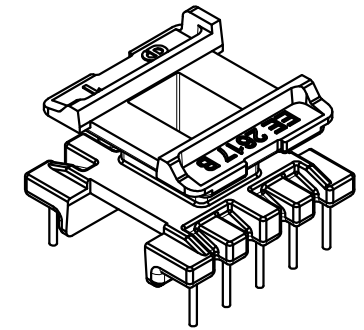


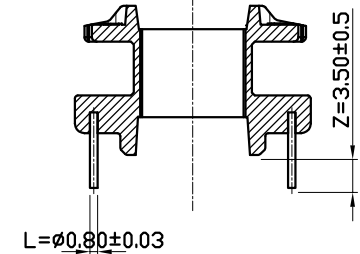
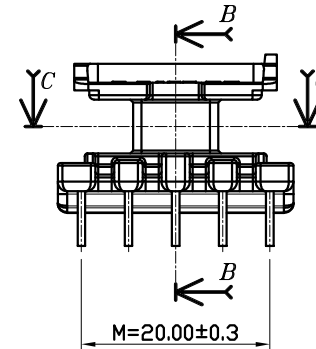
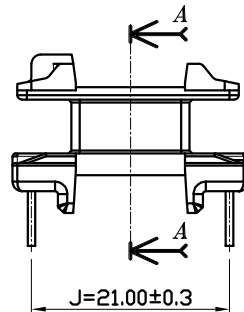
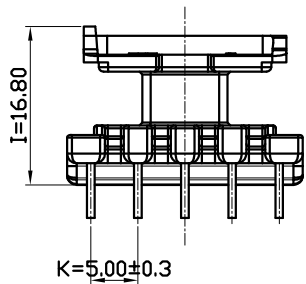
Isometric veiw



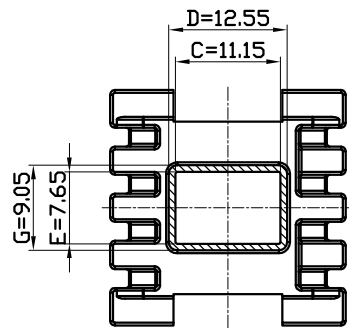
SECTION A-A



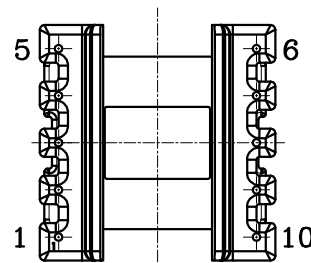
Isometric veiw



SECTION B-B



SECTION C-C



MARK	REVISION NOTE	DATE	DRAWN	CHECKED	APPROVED
▲					
▲					
▲					
DRAWN	CHECKED	APPROVED	MATERIAL : PHENOL	UL REC. : UL94V-0	THIRD ANGLE PROJ.
Dae Soo, Kim	Hyung Seok, Lee	Chul, Park	Z : PIN LENGTH (According to customer's request)	DATE : 2010.11.03	TOLERANCE : ±0.2 (Unless otherwise specified)
주식회사 대흥보빈 DAE HEUNG BOBBIN CO., LTD			TITLE EE 26*17 (10P) V (B)		DWG NO DH-110112-2083-01